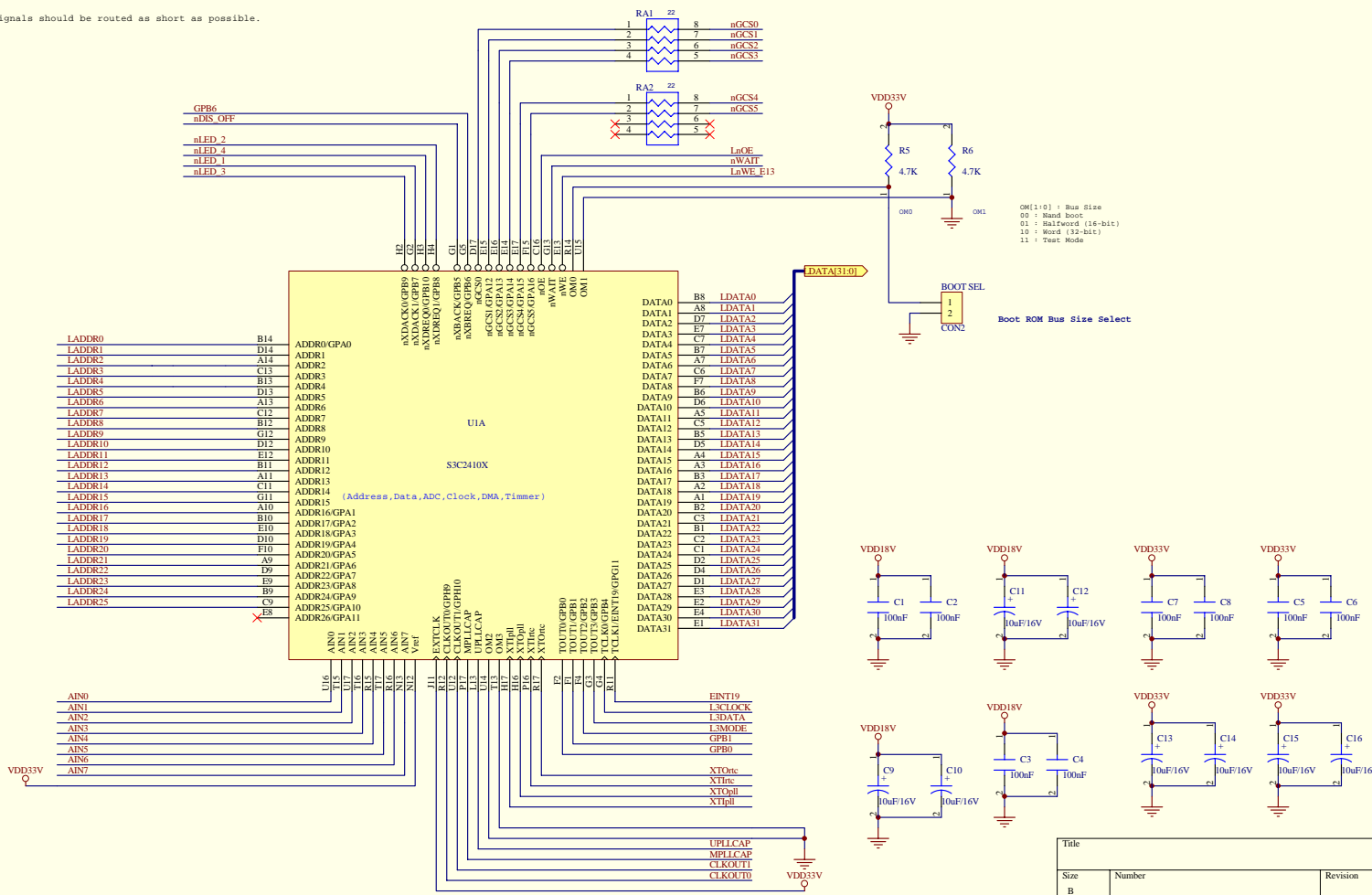
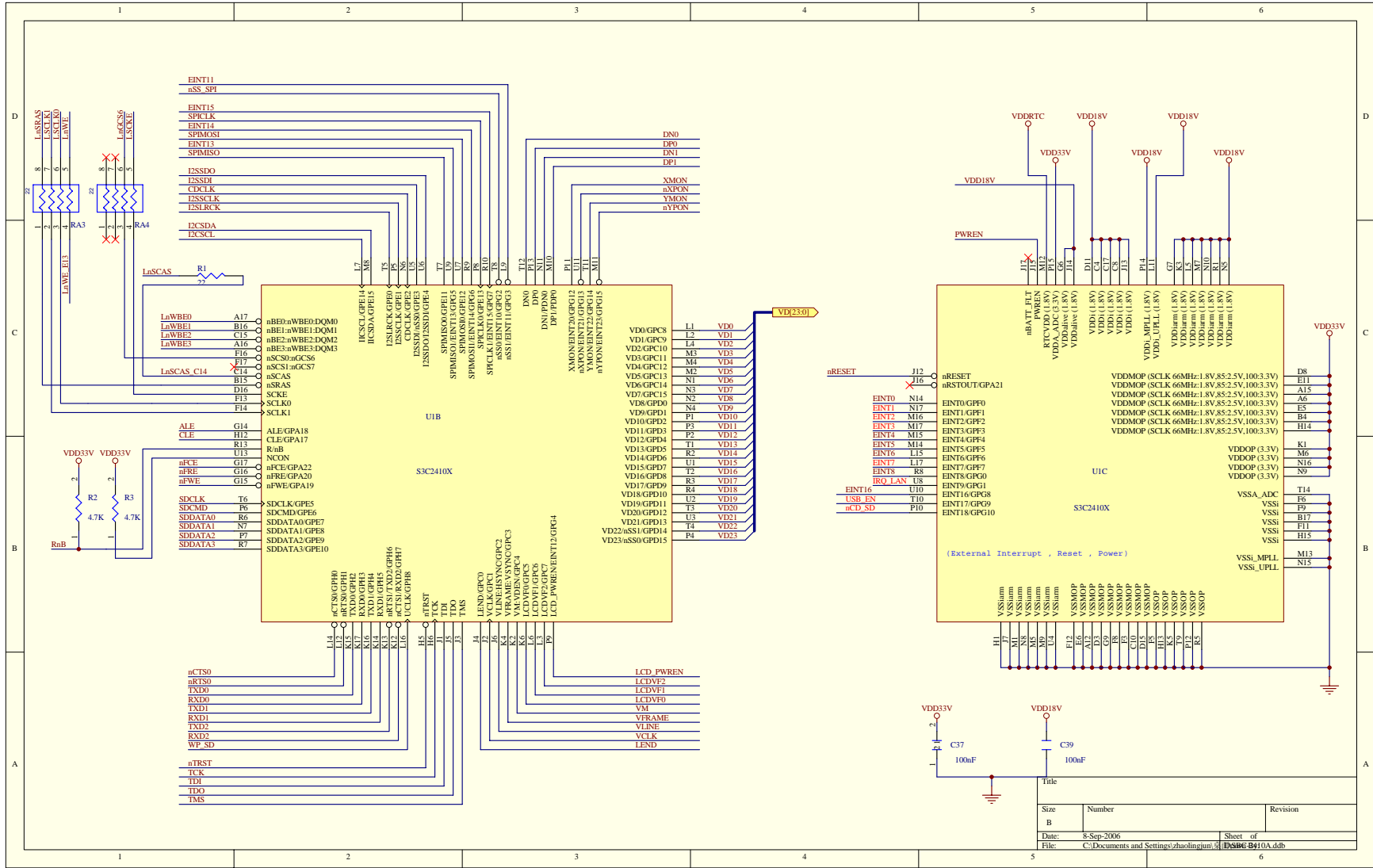


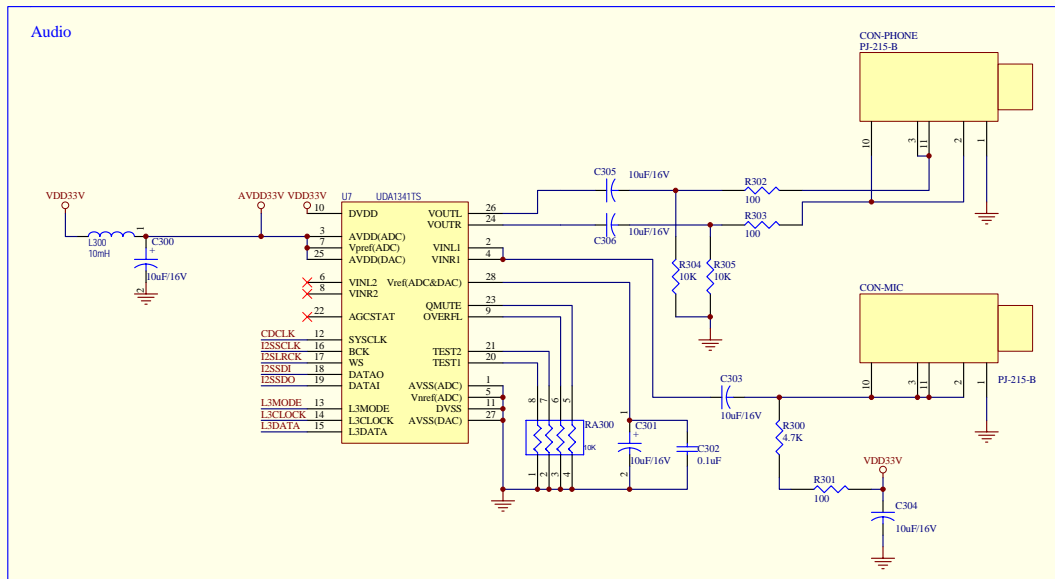
NOTE!!!
Lxxxx signals should be routed as short as possible.



Title		
Size	Number	Revision
B		
Date:	8-Sep-2006	Sheet of
File:	C:\Documents and Settings\zhaoliujun\310A	10A.ddb

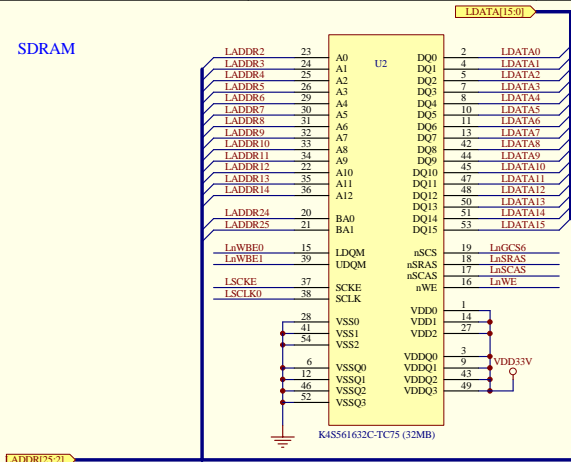


Size	Number	Revision
B	8-Sep-2006	Sheet of
Date:	8-Sep-2006	Sheet of
File:	C:\Documents and Settings\zhaolingjun\3153461410A.ddb	

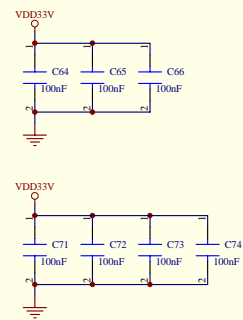
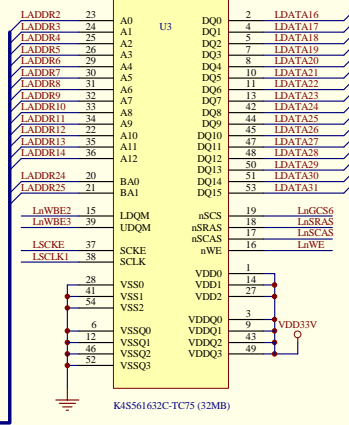


Title		
Size	Number	Revision
B		
Date:	8-Sep-2006	Sheet of
File:	C:\Documents and Settings\zhaolingjun\10A.ddb	

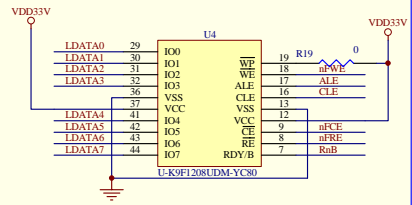
SDRAM



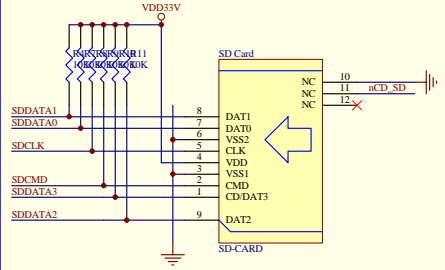
LDATA[15:0]



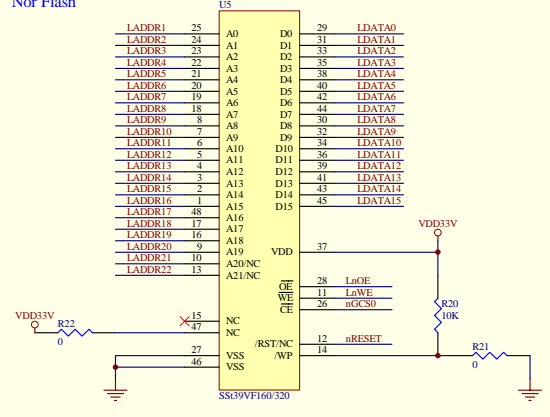
Nand Flash



SD Card

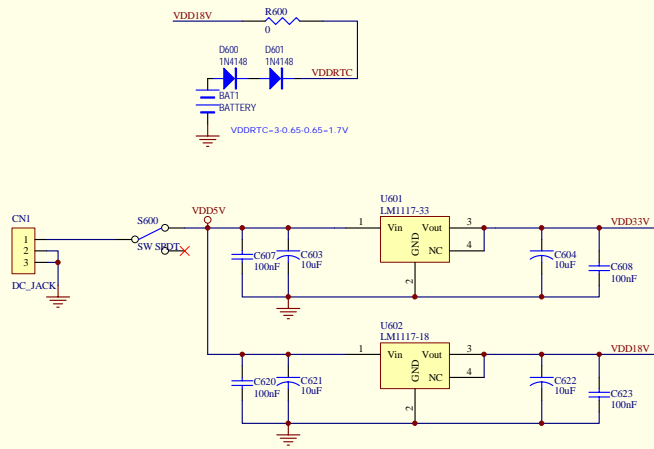


Nor Flash

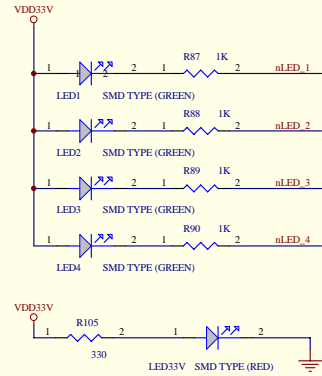


Title		
Size	Number	Revision
B		
Date:	8-Sep-2006	Sheet of
File:	C:\Documents and Settings\zhaolingjun\31	10A.ddb

Power



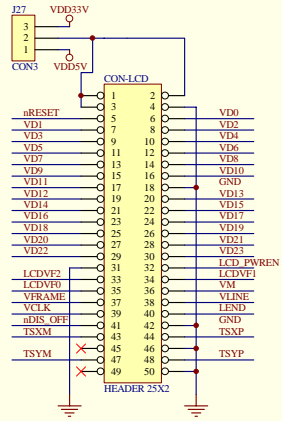
User LED



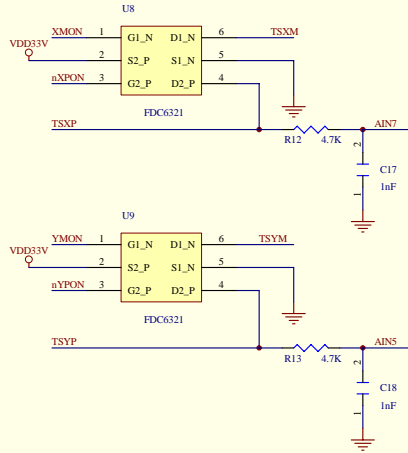
Power & DEBUG LED

Title		
Size	Number	Revision
B		
Date:	8-Sep-2006	Sheet of
File:	C:\Documents and Settings\zhaolingjun\310A\B410A.ddb	

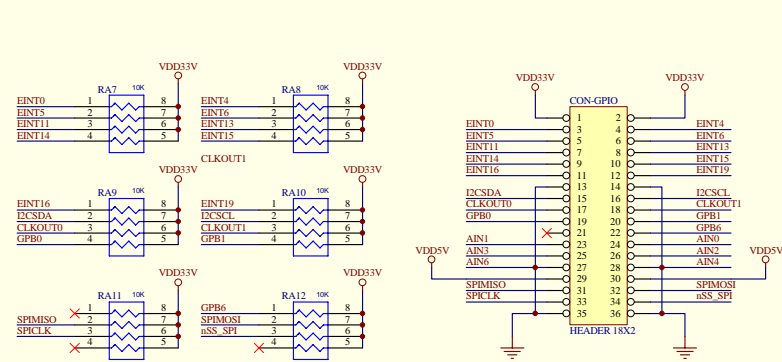
LCD



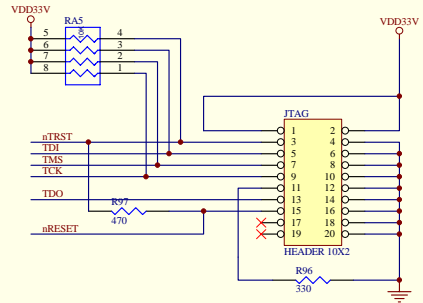
TouchPanel



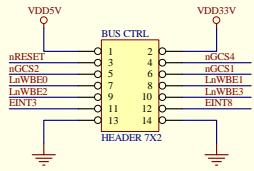
GPIO



JTAG



SYSTEM BUS

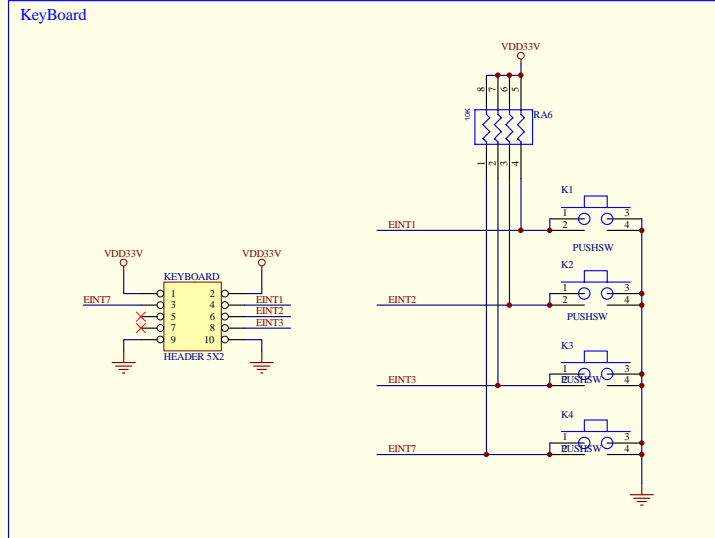


BUS CON

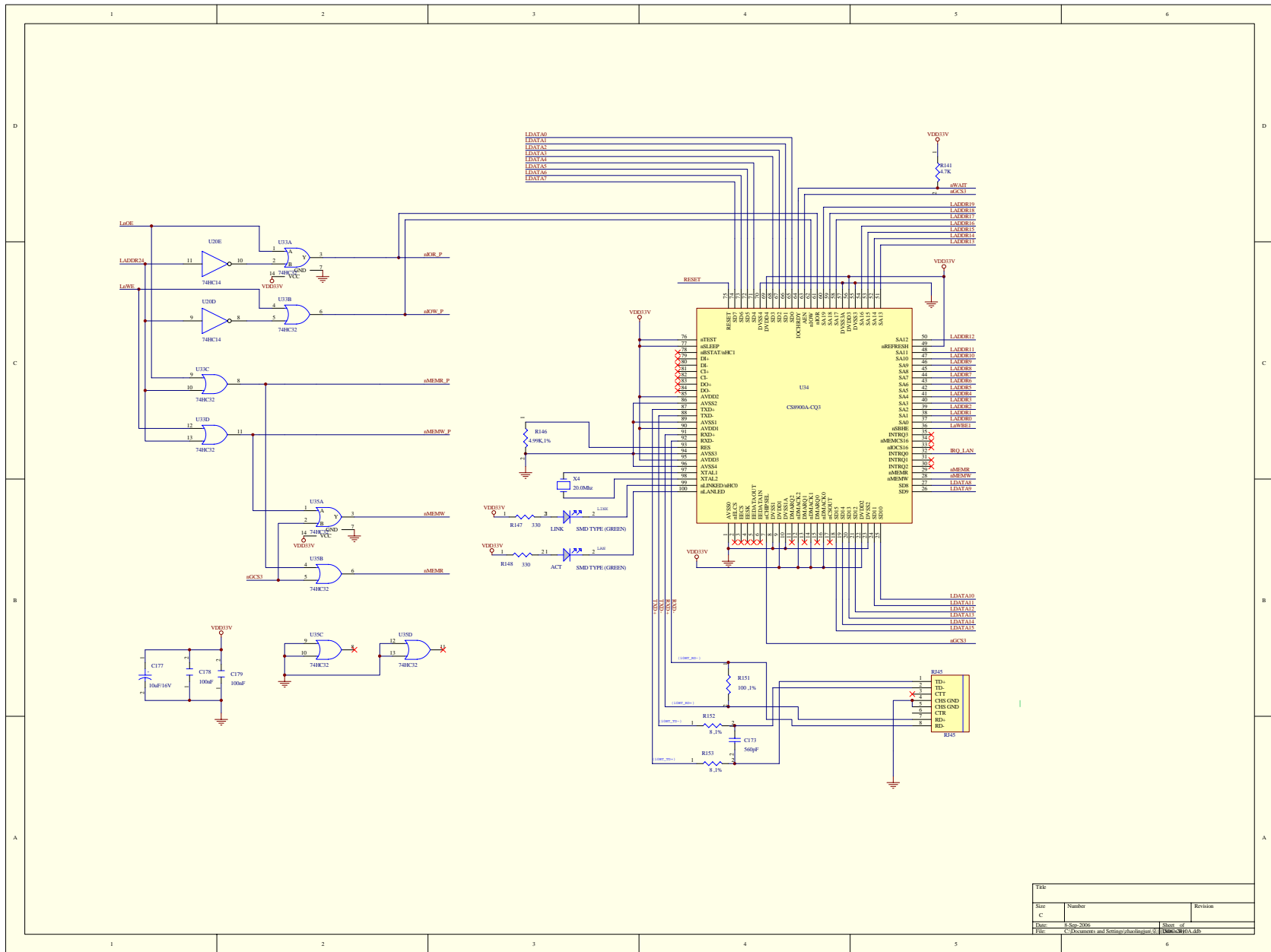
LDATA0	1	2	LDATA1
LDATA2	3	4	LDATA3
LDATA4	5	6	LDATA5
LDATA6	7	8	LDATA7
LDATA8	9	10	LDATA9
LDATA10	11	12	LDATA11
LDATA12	13	14	LDATA13
LDATA14	15	16	LDATA15
LADDR0	17	18	LADDR1
LADDR2	19	20	LADDR3
LADDR4	21	22	LADDR5
LADDR6	23	24	LADDR7
LADDR8	25	26	LADDR9
LADDR10	27	28	LADDR11
LADDR12	29	30	LADDR13
LADDR14	31	32	LADDR15
LADDR16	33	34	LADDR17
LADDR18	35	36	LADDR19
LADDR20	37	38	LADDR21
LADDR22	39	40	LADDR23
LADDR24	41	42	LwOE
LwWE	43	44	nWAIT

CON44S

Title		
Size	Number	Revision
B		
Date:	8-Sep-2006	Sheet of
File:	C:\Documents and Settings\zhaolingjun\1	15346-B110A.ddb



Title		
Size	Number	Revision
B		
Date:	8-Sep-2006	Sheet of
File:	C:\Documents and Settings\zhaolingjun\3110A.ddb	



Title		
Size	Number	Revision
C		
Date	E-See-2006	Sheet of
File	C:\Documents and Settings\shardul\My Documents\W10_A4b	