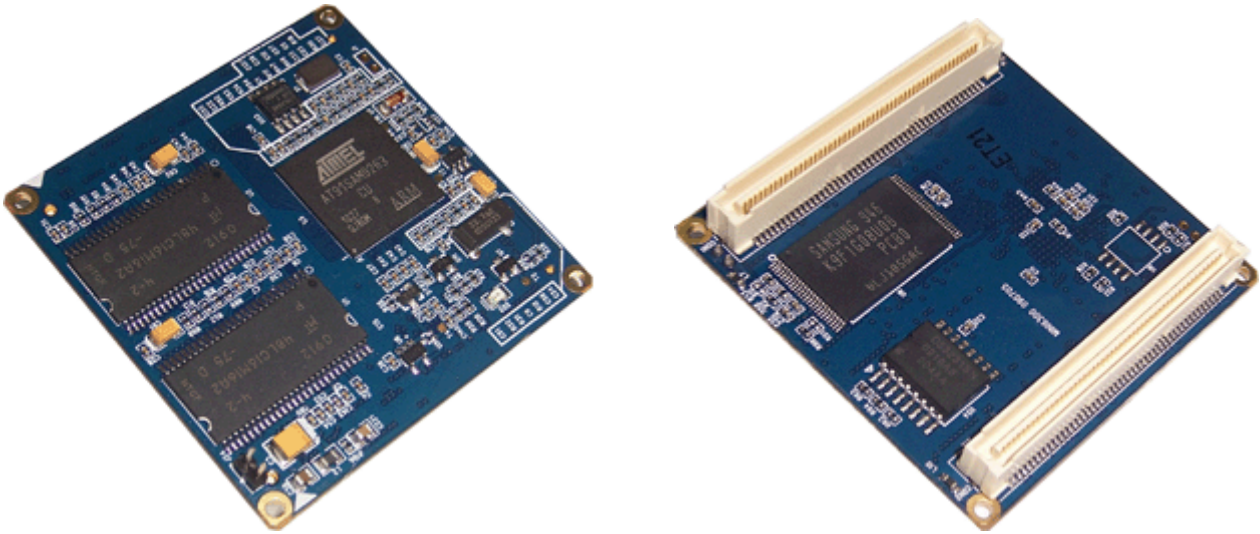


Mini6300 Processor Card

- CPU Core Board based on 200MHz Atmel AT91SAM9263 ARM926EJ-S Microcontroller
- On Board 64MB SDRAM + 128MB Nand Flash



Features

- Dimension: 52mmx52mm
- Working temperature: -10°C~+70°C
- Atmel AT91SAM9263 (ARM926EJ-S core with MMU)
 - DSP Instruction Extensions
 - ARM Jazelle® Technology
 - 16 Kbyte Data Cache, 16 Kbyte Instruction Cache, Write Buffer
 - 210 MIPS at 190 MHz
 - Embedded ICE
 - 128 Kbytes internal ROM
 - 80 Kbytes internal SRAM
- External Memory
 - 64MByte SDRAM
 - 128MByte NAND Flash
 - 2Kbit EEPROM
- One system working status indicator
- Two 0.8mm, 100pin Free Height (FH) surface-mount connectors for connecting with expansion board

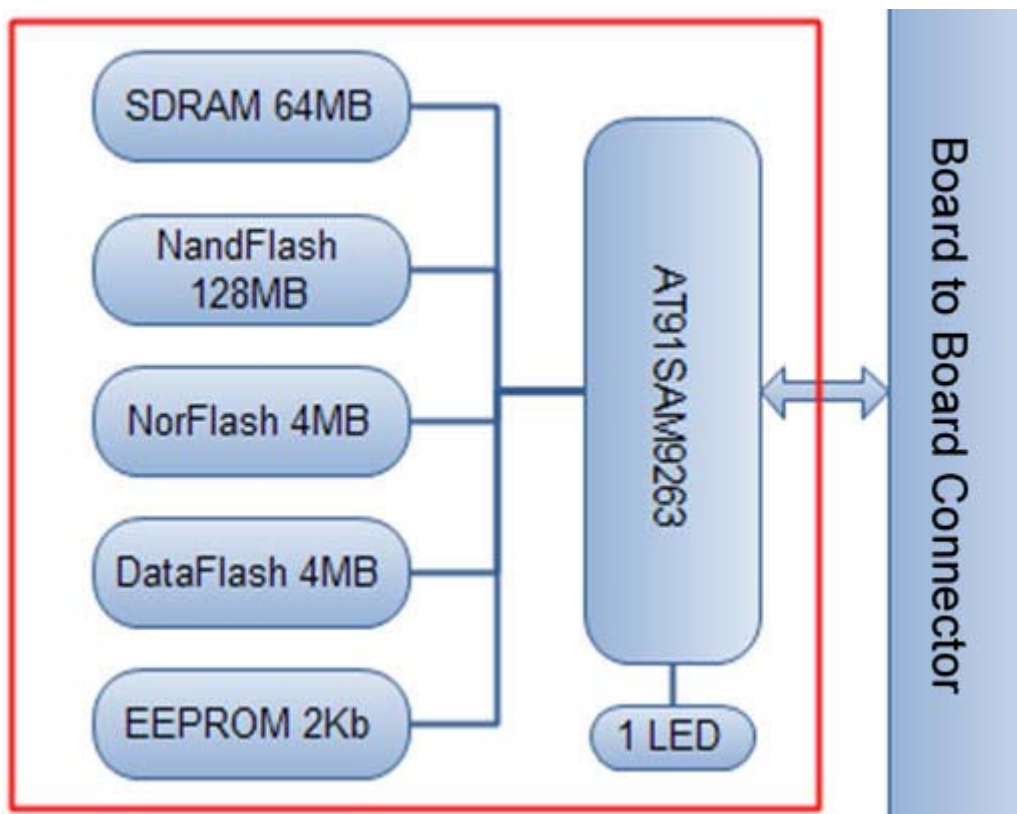
General Description

The Mini6300 Processor Card is a tiny Atmel AT91SAM9263 module introduced by Embest targeting applications in industrial, intelligent instrument, web terminal and etc. It is a core processor card which is ready to be the heart of your next design.

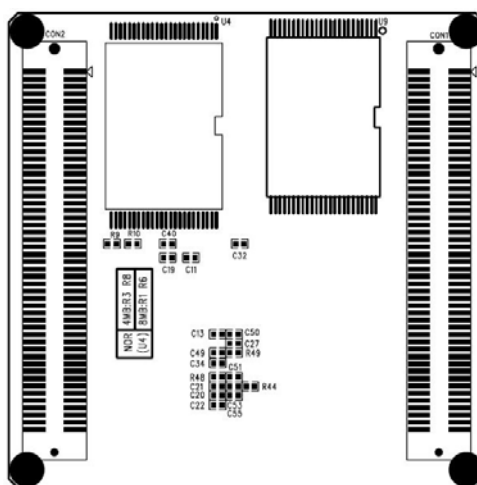
The Mini6300 Processor Card has 64MB SDRAM, 128MB Nand Flash and 2Kbit EEPROM on board. Many features of AT91SAM9263 microcontroller can be extended through two 0.8mm, 100pin Free Height (FH) surface-mount connectors. User can design your own expansion board according to the interface definition. Embest itself has designed an expansion board for the Mini6300 for customer reference; the whole system is called **SBC6300X**. In addition to features provided by Mini6300, the expansion board has increased IO capabilities and extended various hardware interfaces like UART, Ethernet, CAN, USB, LCD, Keyboard, Audio, ADC, SD card and more over.

Embest offers Linux2.6.24 and WinCE 6.0 BSP for Mini6300, use can use it as your core system and develop your own expansion board leverage our experience. This would greatly quicken your pace to market.

General System Structure Diagram



Interface Introduction



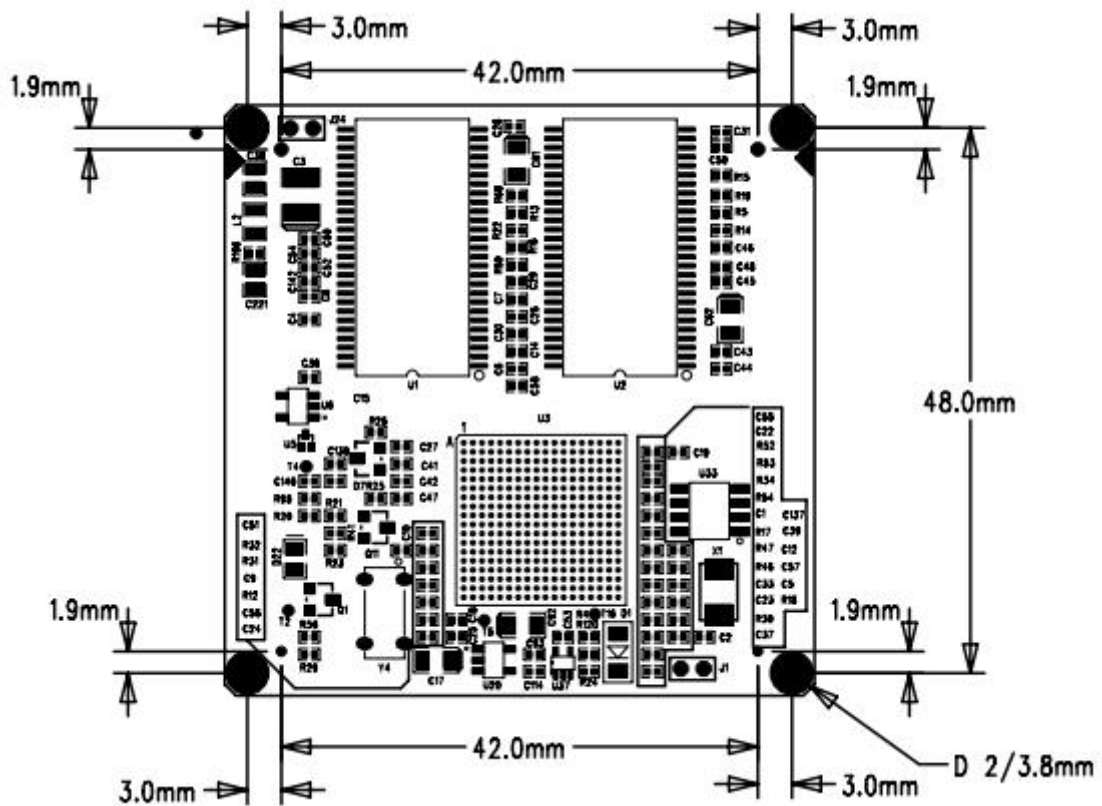
Mini6300 Expansion Interface

Pin Allocation Table:

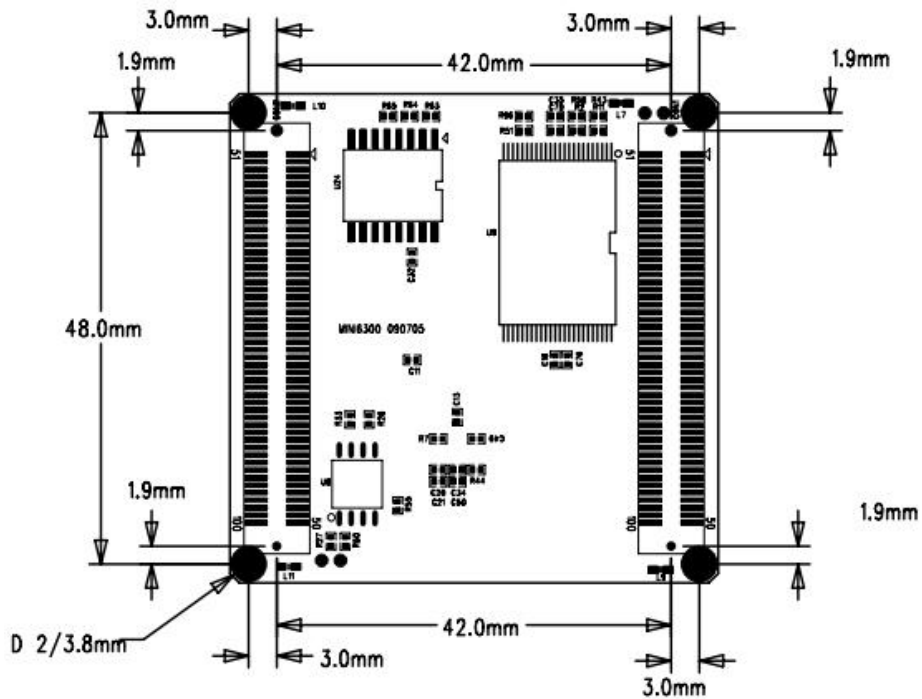
CON1				CON2			
NO.	Function	NO.	Function	NO.	Function	NO.	Function
1	3.3V	51	NC	1	A6	51	3.3V
2	3.3V	52	PD11	2	A5	52	3.3V
3	D0	53	D15	3	A4	53	PB0
4	D1	54	D14	4	A3	54	PB1
5	D2	55	D13	5	A2	55	PC15
6	D3	56	D12	6	A1	56	PC16
7	D4	57	D11	7	A0	57	PB4
8	D5	58	D10	8	PC25	58	PB5
9	D6	59	D9	9	PC23	59	PA6
10	D7	60	D8	10	PC20	60	PA7
11	PB9	61	PC0	11	PC14	61	PA8
12	PA12	62	PC1	12	PC8	62	PA9
13	PA16	63	PC2	13	PC22	63	PA10
14	PA18	64	PC3	14	PC10	64	PA11
15	PA19	65	PC4	15	PC11	65	PC13
16	PA17	66	PC6	16	PA15	66	PC27
17	PA20	67	NC	17	PA4	67	PB6
18	PD12	68	GND	18	PA0	68	PB7
19	3.3V	69	GND	19	PA1	69	PB11
20	3.3V	70	VSBAT	20	PA2	70	PB19
21	PC31	71	PE0	21	PD4	71	PB20
22	PA13	72	PE1	22	PD0	72	PC18
23	PA14	73	PE4	23	PC30	73	PB21
24	GND	74	PE6	24	PC28	74	PB22

25	GND	75	PE7	25	PC26	75	PB23
26	VDD12_BU	76	PE14	26	PC21	76	PB24
27	VDDCORE_1V2	77	PE15	27	PC24	77	PB25
28	GND	78	PE9	28	PC17	78	PB26
29	GND	79	PE17	29	PC19	79	PB27
30	EBIO_NWE	80	PE18	30	PC9	80	PB28
31	EBIO_NRD	81	PE19	31	PC12	81	GND
32	PB8	82	PE20	32	PC7	82	PB30
33	PB2	83	PA25	33	PC5	83	PB31
34	PB29	84	PE16	34	PB16	84	TDI
35	PB3	85	PD6	35	GND	85	TMS
36	NRST	86	PD13	36	HDPB	86	TCK
37	WKUP	87	PD2	37	HDMB	87	RTCK
38	SHDN	88	PD3	38	HDPB	88	TDO
39	PB10	89	PD8	39	HDMA	89	NTRST
40	PC29	90	PD7	40	DDP	90	PE31
41	PA3	91	PD1	41	DDM	91	PE30
42	PA30	92	PE13	42	PD9	92	PE29
43	PA21	93	GND	43	PD14	93	PE28
44	PA23	94	PE10	44	NC	94	PE27
45	PA27	95	PE11	45	PB18	95	PE26
46	PA24	96	PE5	46	PB17	96	PE25
47	PA29	97	PE12	47	PB15	97	PE24
48	PA28	98	PE2	48	PB14	98	PE23
49	PA26	99	PE8	49	PB13	99	PE22
50	PA31	100	PE3	50	PB12	100	PE21

Dimensions



Top View



Bottom View

Order Information

Order No.	T400162
Item	Embest Mini6300 Processor Card
Options	Embest SBC6300X Single Board Computer
Price	Please contact us.



Embest Info&Tech Co., LTD.

Room 509, Luohu Science&Technology Building,
#85 Taining Rd., Shenzhen, Guangdong, China 518020

Tel: +86-755-25635656/25635626

Fax: +86-755-25616057

Email: market@embedinfo.com

<http://www.embedinfo.com/english> <http://www.armkits.com>