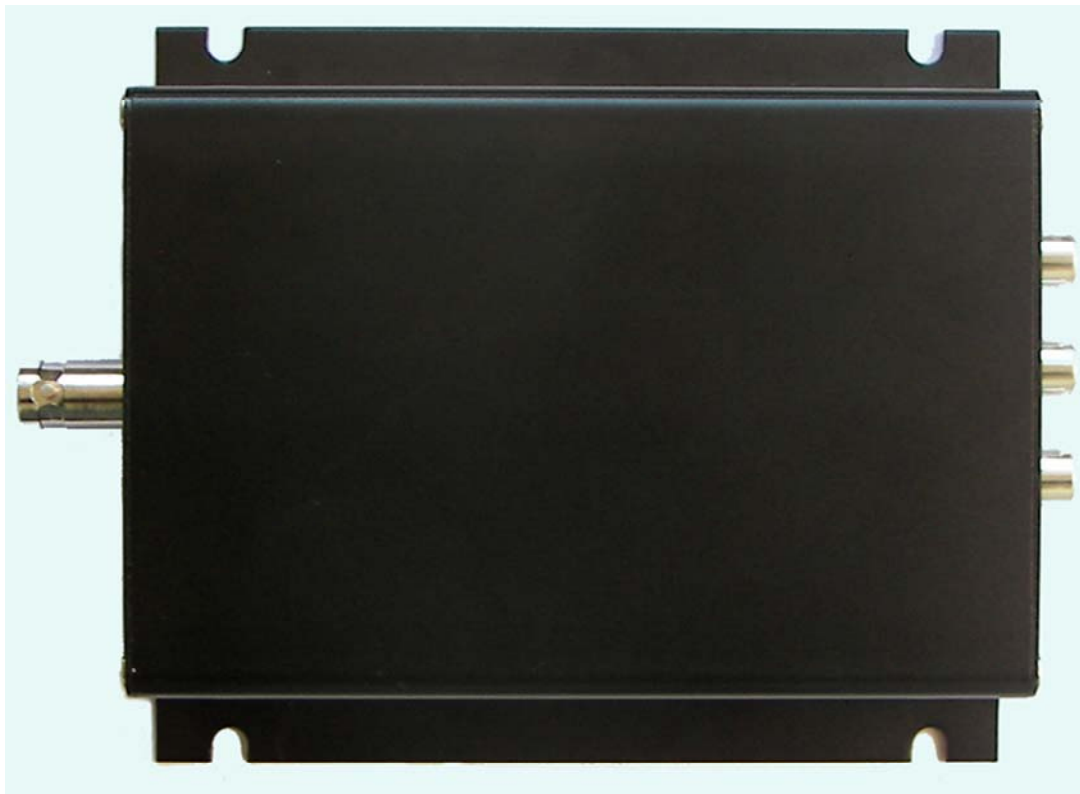


OMAP3530 Video Solution-VSS3530

- ✓ *TI OMAP3530 Processor based on 600MHz ARM Cortex-A8 core*
- ✓ *AV Video Output and One Standard High-Definition Multimedia Interface (HDMI) capable of Supporting 1280*720 resolution*
- ✓ *Various Peripherals and Interfaces including Ethernet, AV Audio/Video Output, USB HOST, TF Card Slot, BNC Analog Camera Interface, MIC input, DVI-D Output*



VSS3530

VSS3530 is a video solution provided by Embest, based on Texas Instruments (TI) OMAP3530 Dual core processor, which is oriented to Video output, Image Acquisition, Image Processing, Video monitoring and more other applications.

VSS3530 provides OMAP35x processor developers perfect and complete hardware resources, facilitate users to develop software or to experience the powerful Data operation processing ability of OMAP35x series. It could help customer shorten the development time as well, in order to realize the market entering or raising of the products more rapidly.

Embest VSS3530 is designed based on Mini8100 processor card. It has 128MB DDR SDRAM, 128MB Nand Flash, extended Ethernet port, USB Host port, TF card slot and features One Analog Camera input, One AV video output, One HDMI (DVI-D) High-Definition video output and Two AV audio outputs.

VSS3530 can support Linux OS. Embest offers Linux2.6.28 BSP for this device, many drivers of which are provided in source code. Along with some linux open source tools, user can develop their application. This would be an ideal solution to fit your specific industrial needs.

Hardware



Processor

- OMAP3530 processor (Pin to Pin compatible with OMAP35x series processors)
- 600-MHz ARM Cortex™-A8 Core
- 412-MHz TMS320C64x+™ DSP Core
- Integrated memory for ARM CPU (16kB I-Cache, 16kB D-Cache, 256kB L2) and memory on chip (64kB SRAM, 112kB ROM)

Storage

- 128MByte 32-bit DDR SDRAM, 166MHz
- 128MByte 16-bit NAND Flash

Audio / Video interface

- One AV video output interface
- Two AV audio output interfaces
- One BNC analog camera interface
- One High-definition HDMI (DVI-D) video output interface
- One MIC audio input interface

Extended interface

- One 10/100M extended Ethernet interface, RJ45 connector
- One power supply interface
- One high speed USB HOST port
- One TF card slot
-

Electrical Properties

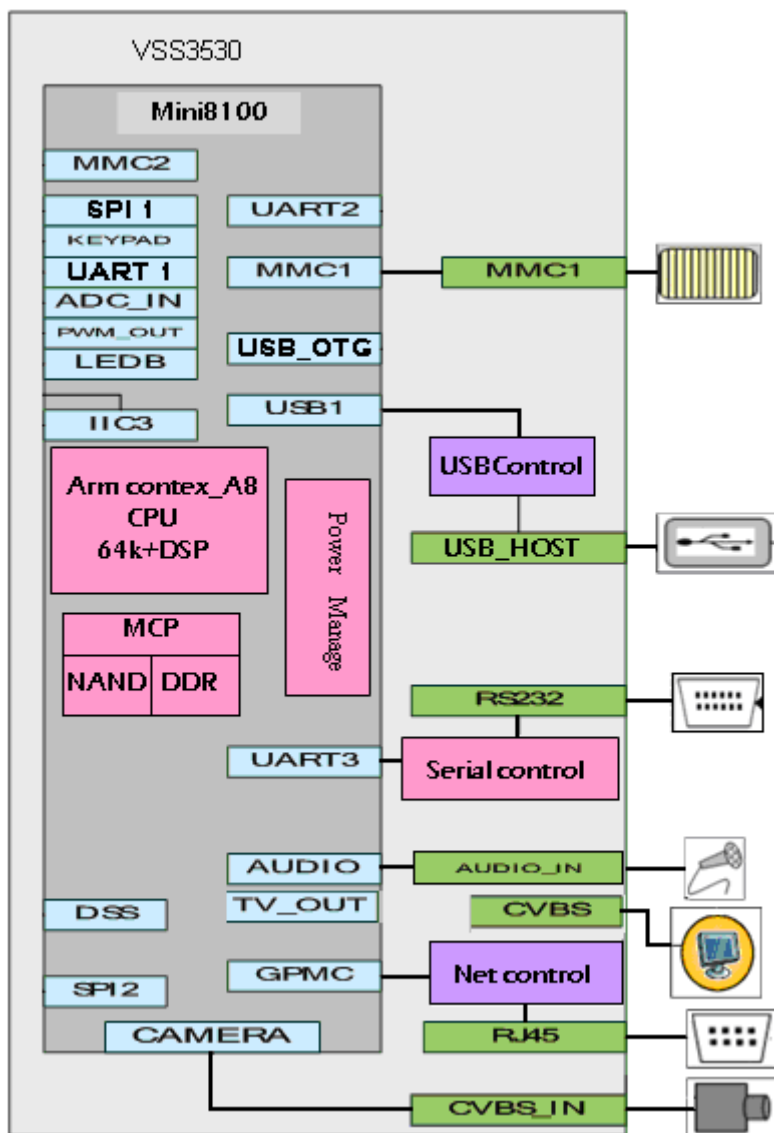
- Case Size: 76.1mm * 120.4mm
- Input power: +12V
- Operating temperature: 0 °C ~ 70 °C
- Operating humidity: 20% ~ 90%

Software

Embest offers Linux 2.6.28 BSP for VSS3530 which can be used for customizing and creating Linux OS on VSS3530 hardware platform and user can develop their own applications based on the BSP. The VSS3530 BSP mainly contains below contents:

Item		Note
BIOS	x-loader	NAND / ONENAND
		MMC/SD
		FAT
	u-boot	NAND / ONENAND
		MMC/SD
		FAT
		NET
Kernel	Linux 2.6.28	Support ROM/CRAM/EXT2/EXT3/FAT/NFS/JFFS2/UBIFS file systems
Device Driver	serial	Serial port driver
	net	Ethernet driver (DM9000)
	flash	nand flash driver (bootable)
	tf	tf controller driver
	usb host	usb ehci driver
	dvi	Support DVI-D signal out
	tv	Support TV signal out
	audio	Audio driver (support recording/playing)
	camera	Camera driver (support analog camera)
	Beep	Buzzer driver
	led	LED driver

Function Block Diagram



VSS3530 Packing List

Standard Package



VSS3530



12V power adapter

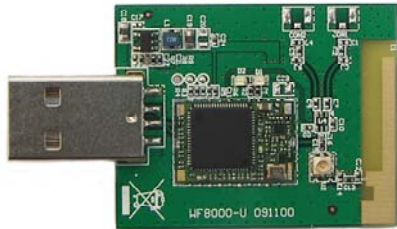


Serial Cable



COM8000

Options



USB WiFi Module
WF8000-U



Analog Camera

Order Information

Order No.	T6010095
Item	VSS3530
Hardware	<ul style="list-style-type: none">✓ One VSS3530 Device✓ One Serial cable✓ One COM8000 Serial Debug board✓ One 12V Power adapter✓ Optional WF8000-U WiFi module✓ Optional Analog Camera
Software and Documents	<ul style="list-style-type: none">✓ Documents (user manual, Datasheet)✓ Linux 2.6.28 BSP
Price	Please contact us.



Embest Info&Tech Co., LTD.

Room 509, Luohu Science&Technology Building,
#85 Taining Rd., Shenzhen, Guangdong, China 518020

Tel: +86-755-25635656/25635626

Fax: +86-755-25616057

Email: market@embedinfo.com

<http://www.embedinfo.com/english> <http://www.armkits.com>