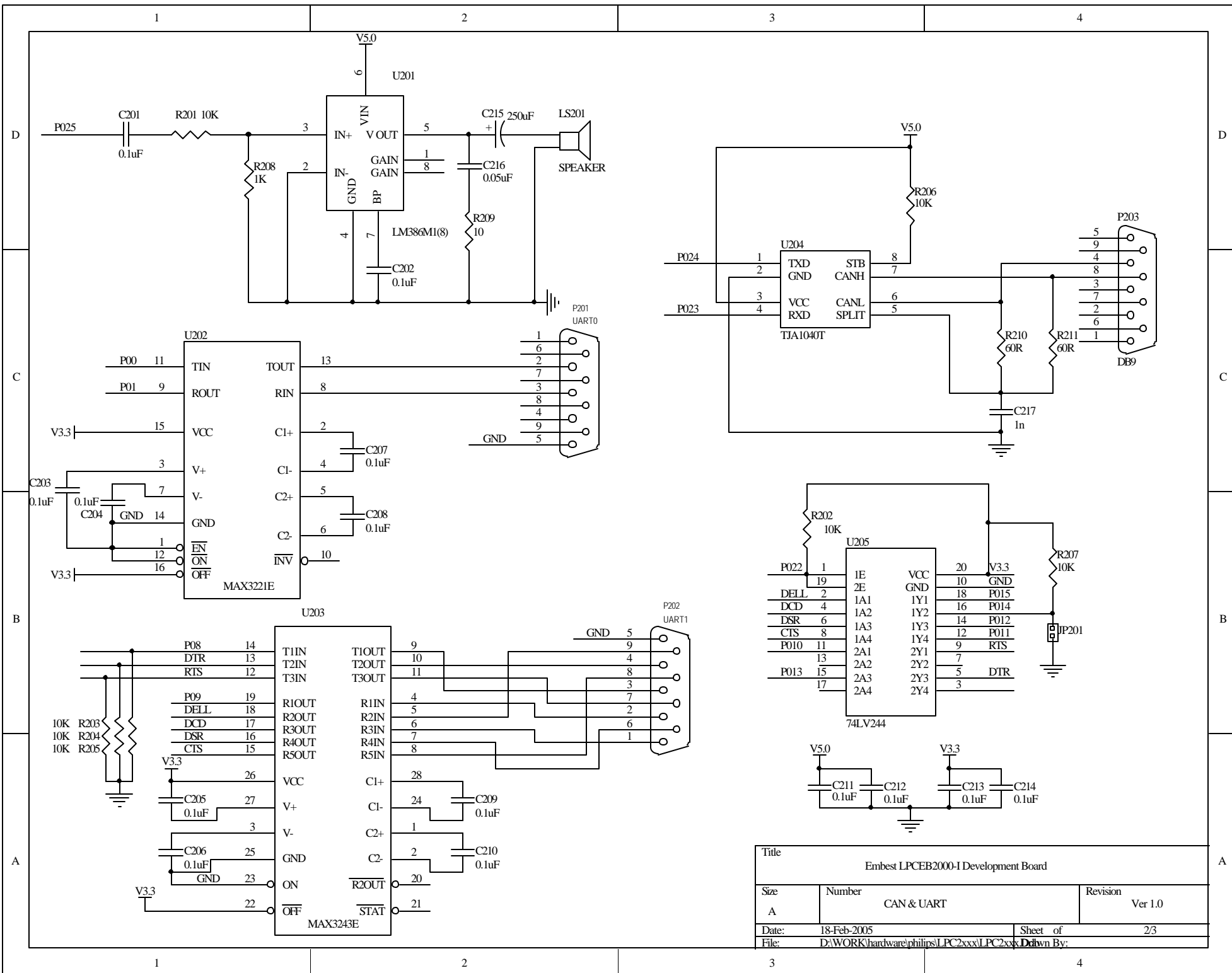
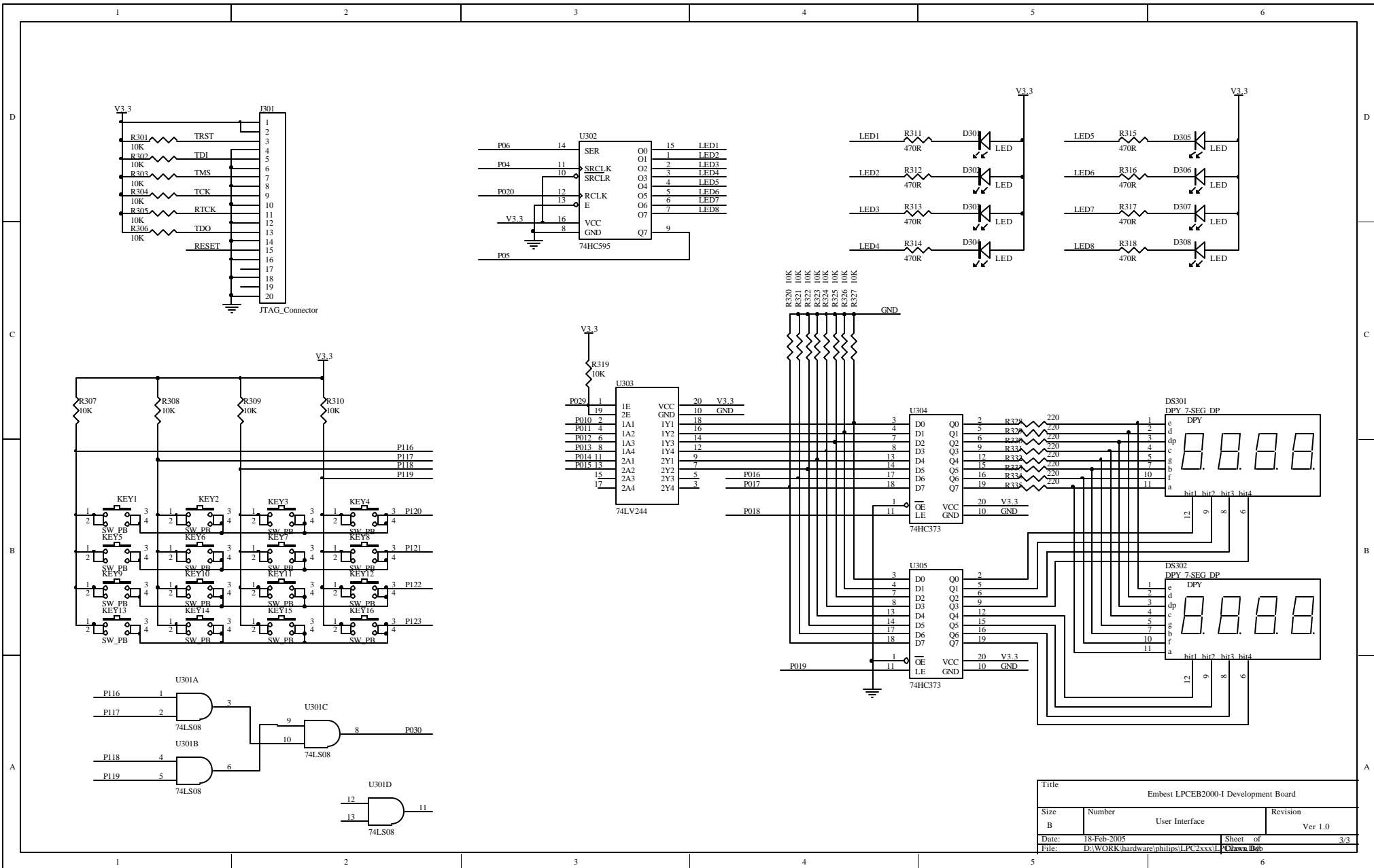


can_uart
can_uart.Sch

user_interface
user_interface.Sch

Title			
Embest LPC2000-1 Development Board			
Size	Number	Revision	
B	Main	Ver 1.0	
Date:	18-Feb-2005	Sheet	of 1/3
File:	D:\WORK\hardware\philips\LPC2xxx\LP2xxx.Brd		





Title				Embest LPC2000-1 Development Board			
Size	Number	User Interface	Revision				
B			Ver 1.0				
Date:	18-Feb-2005	Sheet	of	3/3			
File:	D:\WORK\hardware\philips\LPC2xxx\1	PCW	Rev				